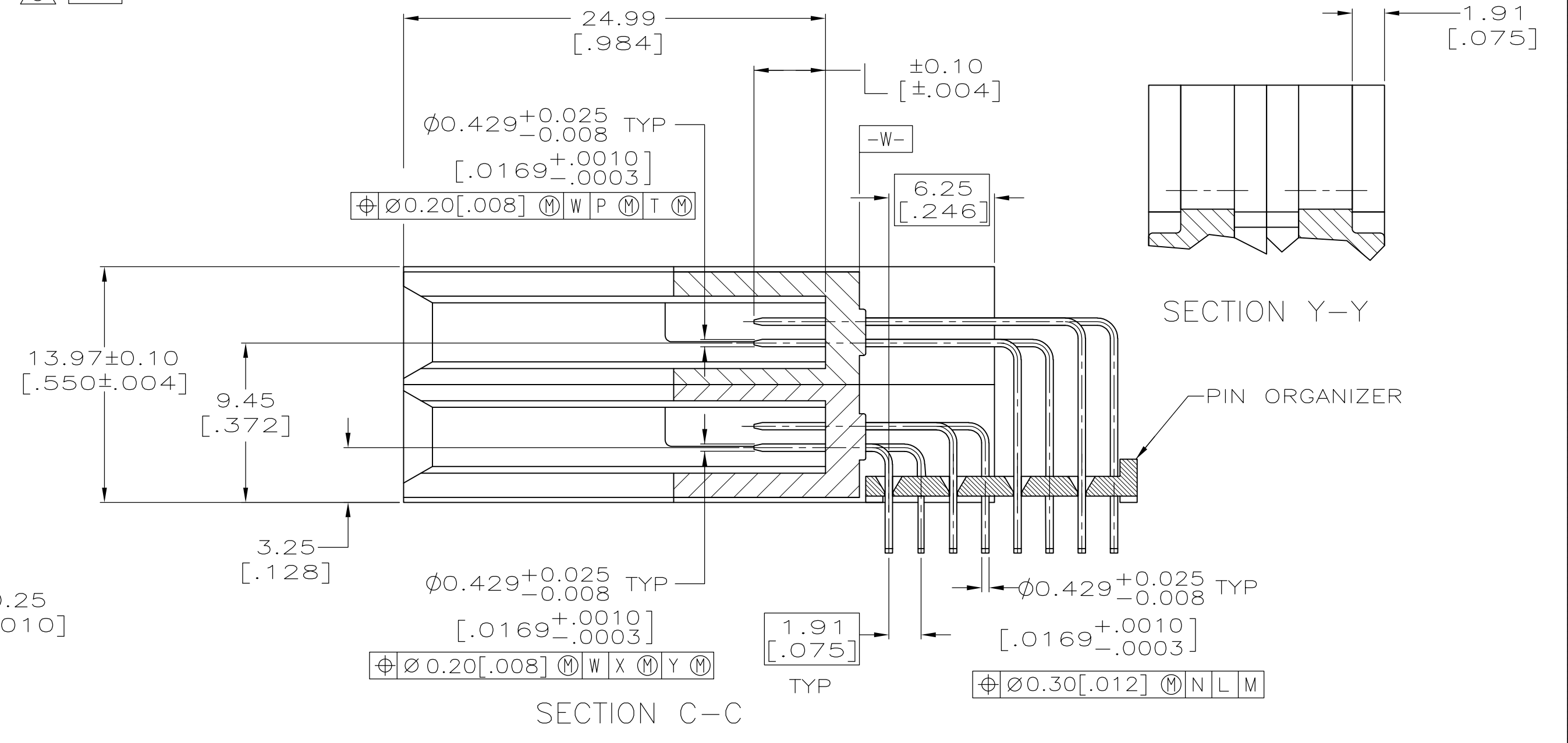
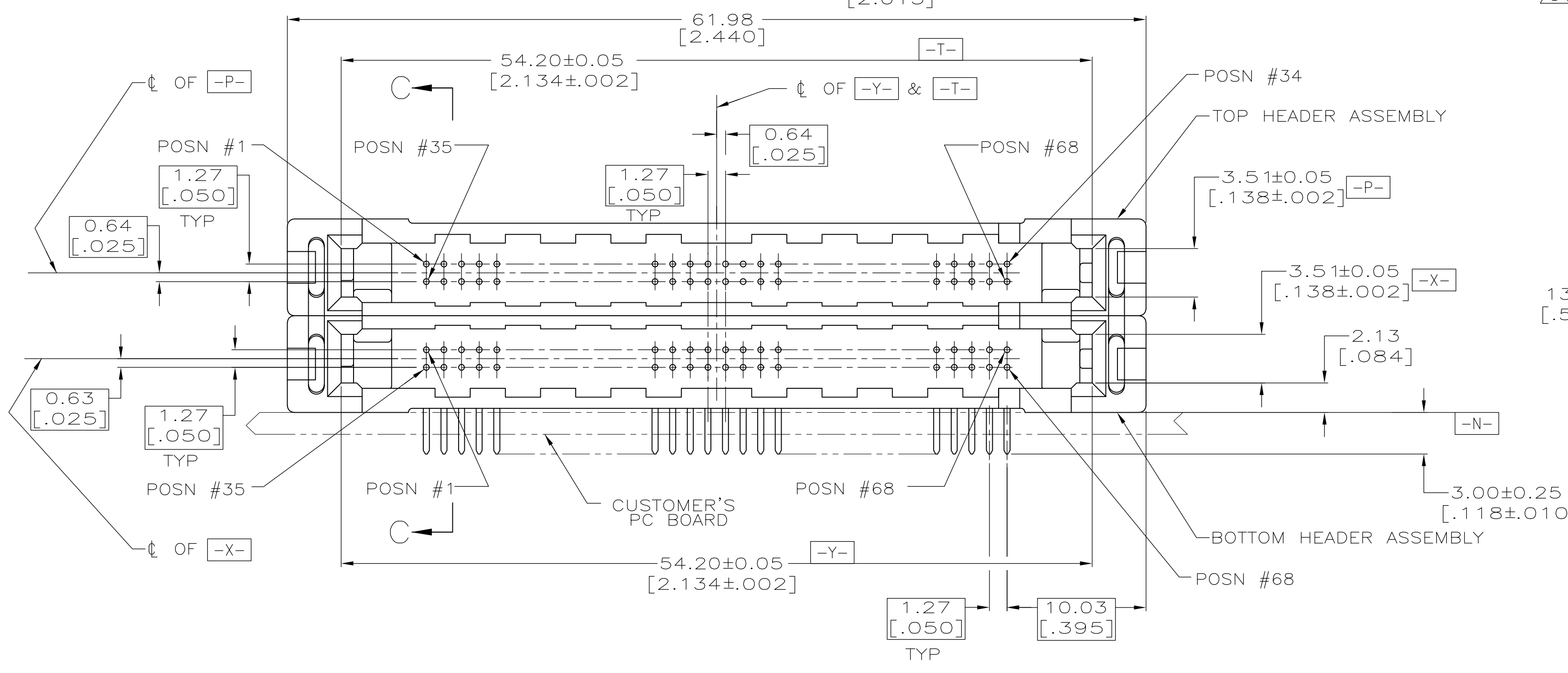
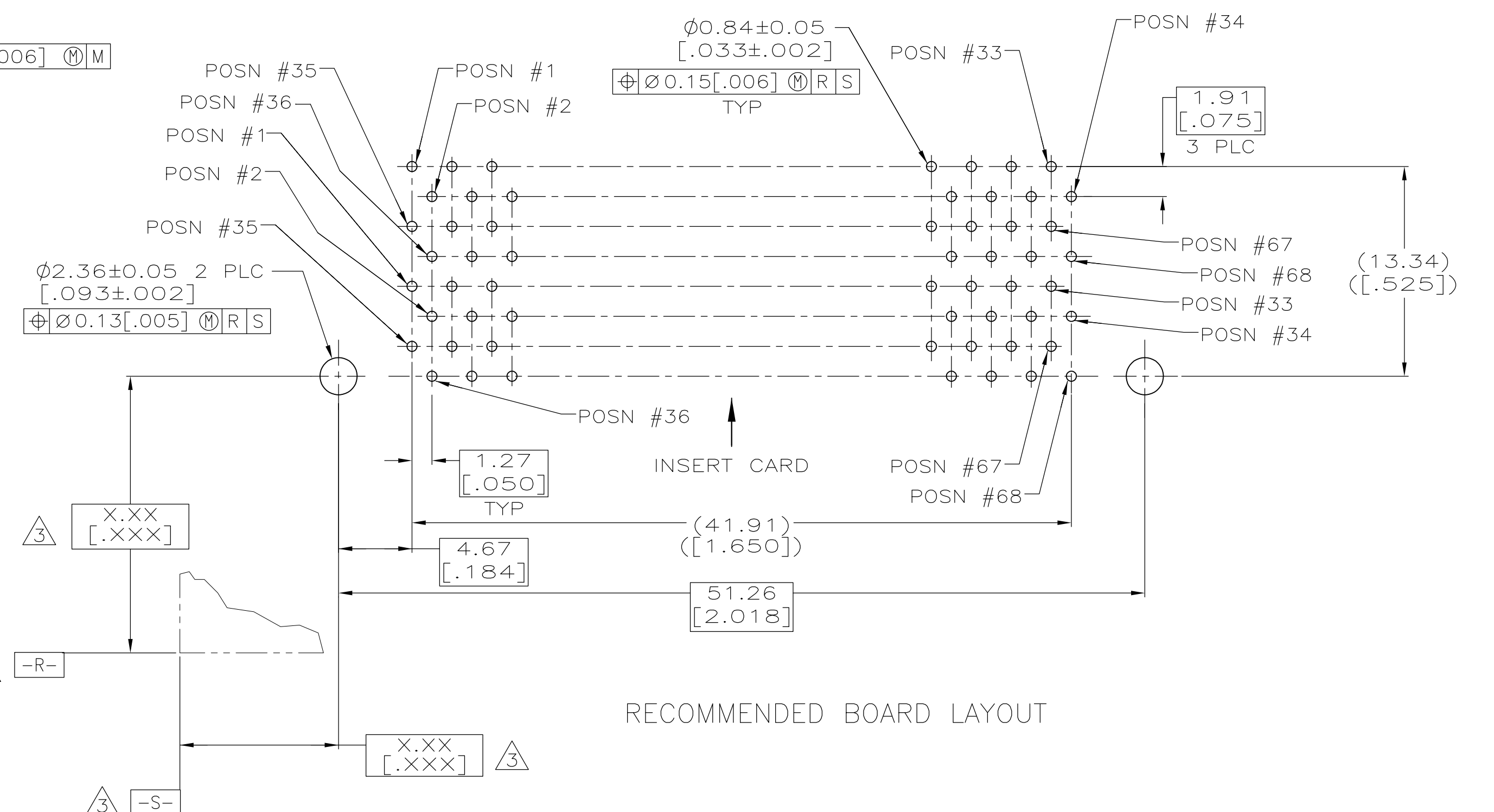
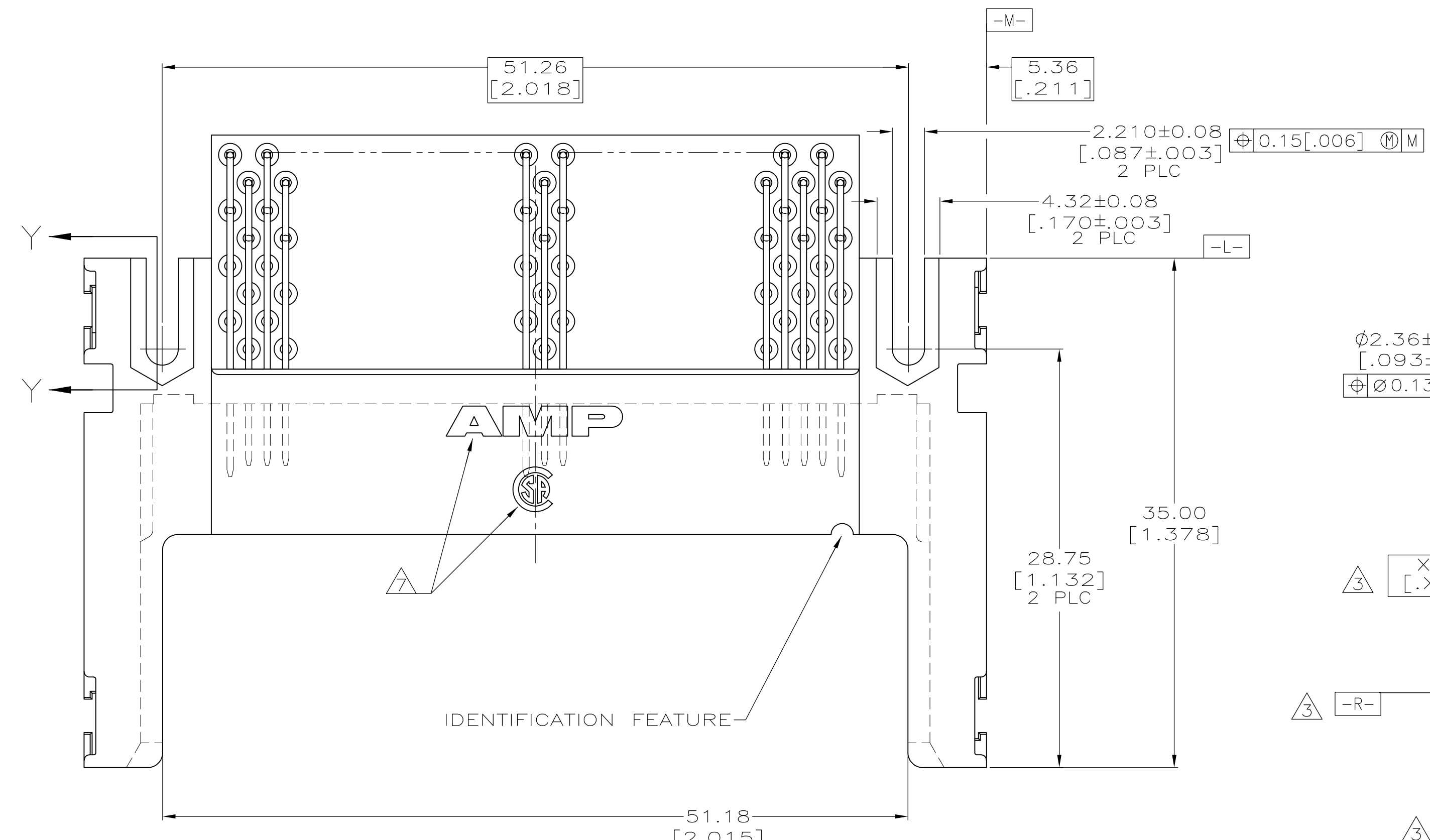


LOC		DIST		REVISONS			
CP	00	P	LTR	DESCRIPTION	DATE	DWN	APVD
		0		REL PER EC 0513-0031-05	03-24-05	AF	JG
		01		REVISED PER ECO-09-024927	07NOV09	KK	AEG



- ① PIN: 0.00076[.000030] MINIMUM GOLD IN CONTACT AREA, 0.00381[.000150] MIN TIN ON SOLDER TAILS, ALL OVER 0.00127[.000050] MINIMUM NICKEL
- 2 CUSTOMER TO PROVIDE CARD GUIDANCE SYSTEM
- ③ DATUMS AND BASIC DIMENSIONS ESTABLISHED BY CUSTOMER
- 4 CONNECTOR REQUIRES USE OF 2 - SIZE 2M SCREWS FOR FASTENING TO PRINTED CIRCUIT BOARD
- ⑤ ASSEMBLY KEYED FOR 5 VOLT CARDS
- ⑥ ASSEMBLY KEYED FOR LOW VOLT CARDS (3.3V)
- ⑦ RECESSED AMP AND CSA LOGOS LOCATED ON BOTH SIDES OF HOUSINGS.
- ⑧ MATERIAL: HOUSING & ORGANIZER: LCP, COLOR; BLACK  
PIN: BRASS & PHOSPHOR BRONZE

⑨ OBSOLETE PARTS: OBSOLETE CIS STREAMLINING PER D.RENAUD/D.SINISI

⑨ OBSOLETE	⑥	1,17,34	ALL OTHER PINS	36,67	-5146027-2-
		35,51,68	OTHER PINS		
VOLTAGE KEYING	⑤	1,17,34	ALL OTHER PINS	36,67	5146027-1
		35,51,68	OTHER PINS		
		5.0	4.25	3.5	PART NUMBER
		[.197]	[.167]	[.138]	
"L" (PIN LENGTH) AND LOCATION					

DIMENSIONS: mm [INCHES]		TOLERANCES UNLESS OTHERWISE SPECIFIED:		MATERIAL		FINISH	
0 PLC	± .005	1 PLC	± .005	⑧	①	①	①
2 PLC	± .010	3 PLC	± .013 [005]				
4 PLC	± .015	ANGLES	± .005				

**COPYRIGHT 2005  
 TYCO ELECTRONICS CORP  
 ALL RIGHTS RESERVED**